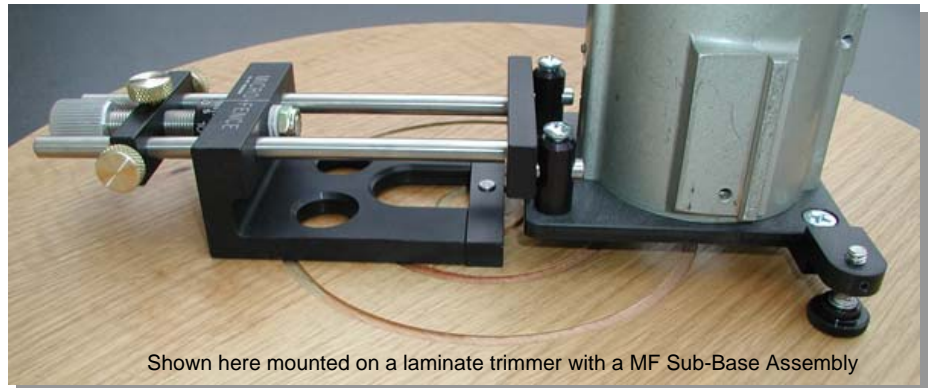


Center Bar & Outboard Levelers

12970 Branford Street Unit M, Arleta, CA 91331 Phone 1-800-480-6427
 Email: microfence@microfence.com Website: www.microfence.com

The **Micro Fence Edge Guide** can also be set-up to cut small circles. (Our **Circle Jig** covers 6" to 48" plus). For circles 6" and under, a **Center Bar** attaches to the edge guide and provides a center pin that can be positioned virtually as close to the bit as you wish.



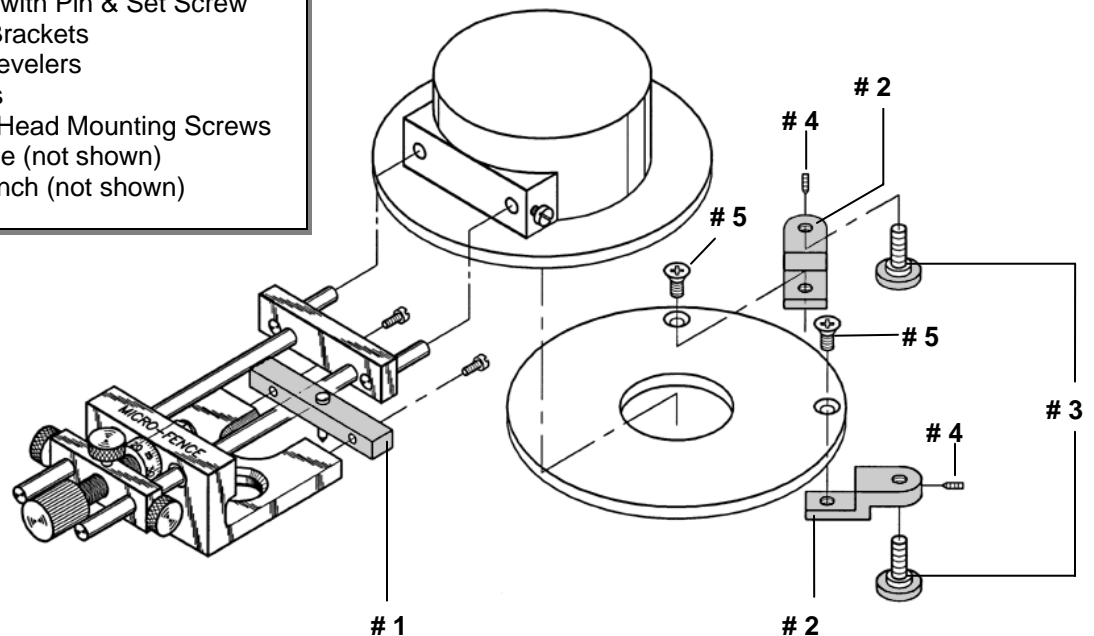
Shown here mounted on a laminate trimmer with a MF Sub-Base Assembly

This kit includes two adjustable **Outboard Levelers** that support your router/trimmer parallel to the work surface. This set-up provides an efficient solution for jobs such as guitar rosette inlays, small speaker cut-outs, wheels for toys, plinth block rosettes, miniatures, or any small circle requirements.

Check the packaging to be sure you have all the parts numbered in the diagram below (all grey-shaded).

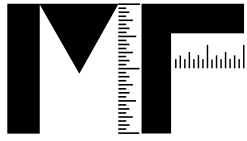
The kit includes:

- | | |
|-----|-------------------------------------|
| # 1 | The Center Bar with Pin & Set Screw |
| # 2 | Two Mounting Brackets |
| # 3 | Two Threaded levelers |
| # 4 | Two Set Screws |
| # 5 | Two 10-32 Flat Head Mounting Screws |
| | • 5" of Teflon Tape (not shown) |
| | • 5/64" Allen Wrench (not shown) |



Initial Set-up:

Remove your router's plastic sub-base and mark the position of the holes you need to drill for mounting the two outboard leveler brackets (#2). Mark two positions set back approximately **7/16"** from the edge of the sub-base (center punch if possible), and drill with a **3/16"** (or slightly larger) drill bit. Countersink to a depth that will allow the flat-head screws (#5) to seat a little below surface.



Center Bar & Outboard Levelers

12970 Branford Street Unit M, Arleta, CA 91331 Phone 1-800-480-6427
 Email: microfence@microfence.com Website: www.microfence.com

(We recommend positioning the two holes in an equilateral triangle pattern with the router bit). Install the two brackets as shown in photo and/or drawing above and firmly tighten the screws.

Re-install the sub-base on your router and install the two threaded levelers (#3) with the black plastic slides positioned downward. The two nylon-tipped set screws (#4) should already be installed in the brackets. (You will tighten them after you have adjusted the levelers to your desired height).

The Center Bar (#1) should be installed on the Micro Fence Body in the same position (and using the same mounting holes) that is used for the wooden straight-line fences and the half-rounds included with each model. Your Micro Fence is also packaged with the 8-32 X 1/2" fillister-head screws you'll need to mount the Center Bar.

At this point, if you would like, you can apply sections of the Teflon tape supplied to the bottom of the Micro Fence body. This will make the set-up slide smoothly on the work surface.

Remove the center pin after loosening the set screw. After installing the Micro Fence on the router base, set the assembly on a flat surface and adjust the levelers to set the router base parallel to the surface. You can check your settings with the back end of set of dial calipers. The stainless steel levelers feature twenty-pitch threads, so each complete turn will move the leveler .050" up or down (50 thousandths).

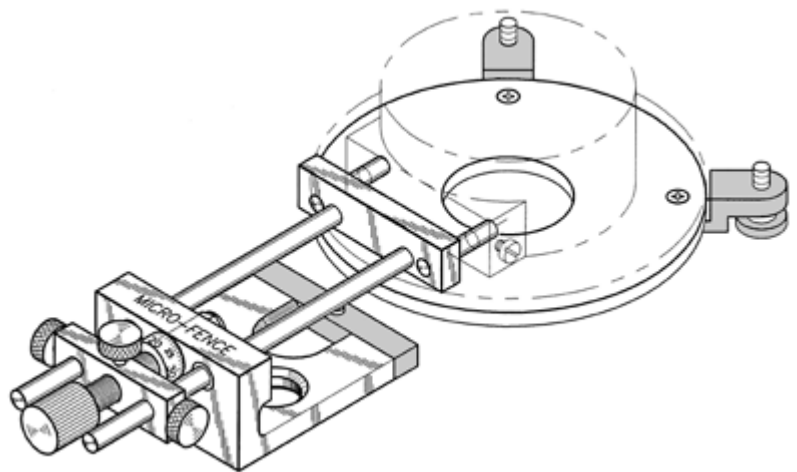
The Center Pin has a 5/32" diameter and 3/8" long spike that will act as your pivot point. We recommend drilling a 1/8" pilot hole and pressing or tapping the pin into it before sliding the Center Bar/Micro Fence assembly on to it. Proper set-ups are show in the drawing below and the photo on the previous page.

SAFETY TIPS:

CAUTION! If your intent is to cut all the way through your work-piece, be *absolutely* sure to securely fasten both the finished and scrap portions of the material before cutting. Kick backs can cause spoiled work or injury.

Whether you choose two-sided tape, temporary gluing/nailing, or clamping techniques, try a conservative test cut before addressing the final operation.

Suspending your power cord above the router can simplify cord management during circular cutting operations.



View of Assembled Kit