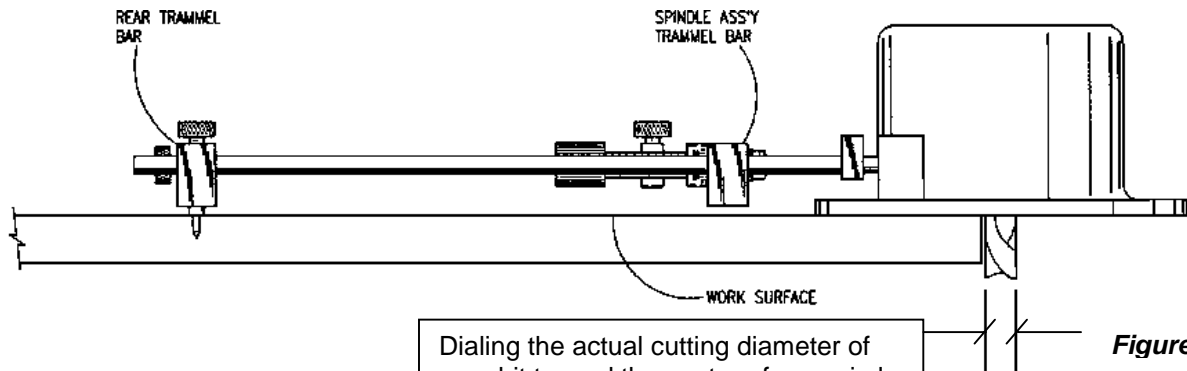


The Micro Fence Circle Jig

13160 Saticoy St. N. Hollywood, CA 91605 Phone 1-800-480-6427
 Email: microfence@microfence.com Website: www.microfence.com

Mating Radiuses: One unique capability that your Micro Fence Circle Jig brings to your shop is that of being able to create virtually flawless mating circular cuts. Let's say, for example, that you use your jig to cut out a perfect circle. If you measure the cutting diameter of the bit you are using, (use dial calipers to check the kerf of your bit, See Fig. 5 below), you can dial that precise dimension inboard to produce the set up you'll need to cut the perfect mating radius.



Dialing the actual cutting diameter of your bit toward the center of your circle will produce the proper set-up to cut a mating radius.

Figure #5

We do not recommend making circles under 6" diameter with the Micro Fence Circle Jig. This is a potentially dangerous procedure.