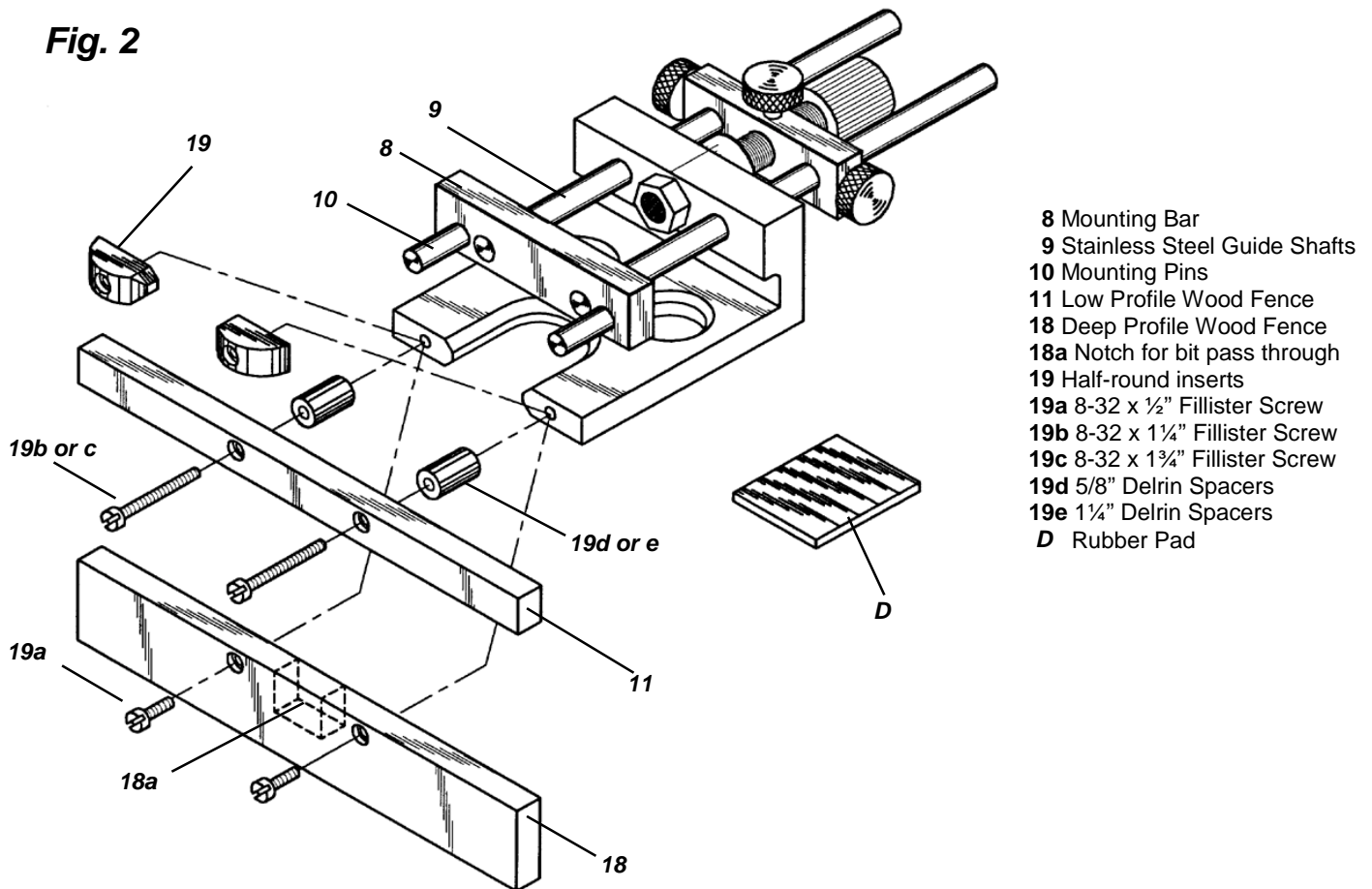


GETTING STARTED

Check Your Packing List

Your Micro Fence comes with the parts and accessories shown in Fig. 2. These standard accessories make your fence an extremely versatile tool.

Fig. 2



- 8 Mounting Bar
- 9 Stainless Steel Guide Shafts
- 10 Mounting Pins
- 11 Low Profile Wood Fence
- 18 Deep Profile Wood Fence
- 18a Notch for bit pass through
- 19 Half-round inserts
- 19a 8-32 x 1/2" Fillister Screw
- 19b 8-32 x 1 1/4" Fillister Screw
- 19c 8-32 x 1 1/4" Fillister Screw
- 19d 5/8" Delrin Spacers
- 19e 1 1/4" Delrin Spacers
- D Rubber Pad

Standard Accessories

Either the **low profile** (#11), or **deep profile** (#18) **wooden fence faces** may be attached to the main body, (using the 8-32 tapped holes on the end of the Micro Fence body, (Fig. 1, #11a)). The low profile is useful for most straight-line operations occurring inboard from an edge, and will clear 3/4" material on a work bench or work surface. The height of the deep profile fence allows it to be notched, (Fig. 2 # 18a), so that the bit can be enveloped by the fence for rabbeting or flush-trimming operations. It's also useful for shallow "pocket" cutting as required for stopped flutes, lock or hinge recesses, dadoes or mortises.

A pair of **Delrin half-round inserts** (#19) comes with each edge-guide. When installed on the main body, (using the same Fig. 1, #11a holes as the profile fences), they provide two points of contact so the fence can ride along arcs, circles or irregular edges. (See Fig. 2).

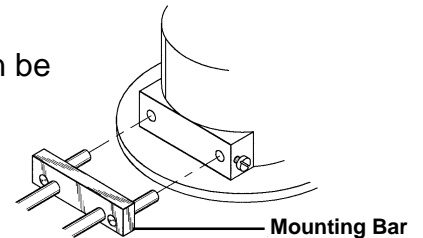
Note: Since the inserts mount on 2” centers, using the edge guide on small radiused edges, (particularly under 2”), is not only difficult, but will result in a cut that is not parallel to the edge.

A pair of **Delrin extension spacers** (#19d or e) is included to provide additional reach, permitting settings that align the fence with the far side of the bit for flush-trim operations, such as Formica or veneer trimming. A second, longer set of 8-32 screws, either 1 ¼” or 1 ¾” (#19b or c) depending on which router your fence fits, is provided in your parts bag for installation of the extensions.

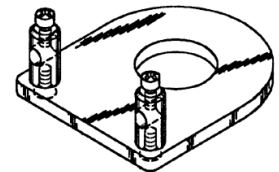
Rubber pad (D): The black rubber pad included in your parts bag prevents the jaws of pliers from damaging the stainless steel guide shafts or mounting pins during installation and/or removal. (Care should be taken that the plier’s teeth are not so sharp as to cut through the pad when pressure is applied).

Optional Edge-Guide Accessories:

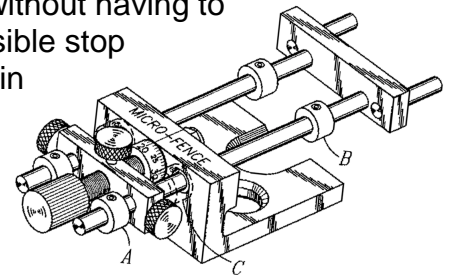
Mounting Bars for Different Routers: The Micro Fence System can be adapted for use on virtually any router or laminate trimmer on the market today simply by changing the mounting bar and pins (Figs.1 & 2, #'s 8 & 10). The guide shafts, (Figs.1 & 2, #9) are threaded and can be changed out easily.



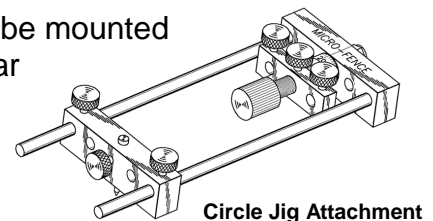
Sub-base Assemblies: These allow the Micro Fence System to be used on laminate trimmers. These sub-bases come with two cross-drilled posts that provide points of attachment.



Our **Stop Collar Sets** are matched sets of four brass collars fitted with nylon-tipped setscrews. Locking the collars on the guide shafts allows you to “memorize” the position of the guide for a particular cut and return to it to that position later, without having to re-measure. (A, B and C in the diagram to the right represent possible stop collar placements). They may be used to locate cuts that must be in relation to one another, (such as flutes or reeds); to memorize the amount of offset when enlarging single cuts with a second pass, (dadoes for under-sized plywood); or, when installed on our Circle Jig, to position concentric cuts, (like the inside and outside diameters of a ring or wheel).

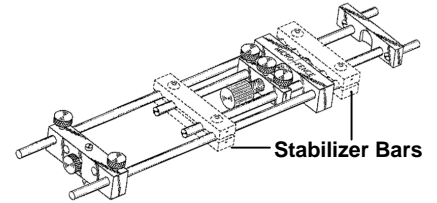


The **Circle Jig Attachment (CJA):** Our Circle Jig Attachment can be mounted on the guide shafts (Fig.1, #9) in place of the edge guide for circular cutting requirements. The standard attachment allows you to rout circles and arcs from 6 in. to 48 in. in diameter. Longer rods (24” or 36”) are available for larger diameter work.

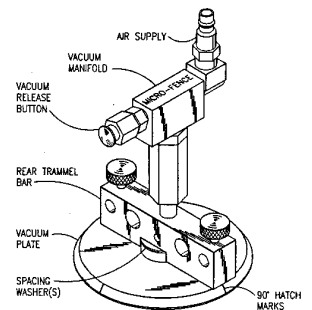


The following accessories are available for use with our Circle Jig:

Stabilizer Bars: These maximize the rigidity of our Circle Jig when making larger circles or taking heavier cuts. A clamping device, stabilizer bars grip all four rods of the jig once your final settings have been made, shown here on the Circle Jig Complete.

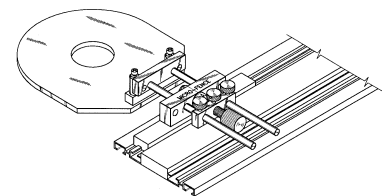


Vacuum Center Accessory (VCA): This accessory eliminates the need to drill a pilot hole to secure the center pivot when routing circles. Your air compressor provides the vacuum necessary to hold the center in place. Developed initially for the solid surface and formica trades, the VCA can provide efficient set-ups and unblemished work surface on any cabinet-grade material including plywoods and surfaced lumber.



Ellipse Jigs: When connected to the two centers on this jig, our Circle Jig can cut ellipses or ovals in a great variety of shapes and sizes. The Ellipse Package provides all the plates, centers, slides and linkage you need to turn your Circle Jig into a far more versatile tool.

“Tru-Grip Clamp” Interface: By fitting this accessory to our Circle Jig, the Micro Fence will slide along the extrusion of a “Tru-Grip Pro Ft’r” clamp. This guides the router in a straight line, for dados, grooves or decorative cuts across any flat surface.



See our latest brochure or visit our website at www.microfence.com for more information and pricing on our accessories.