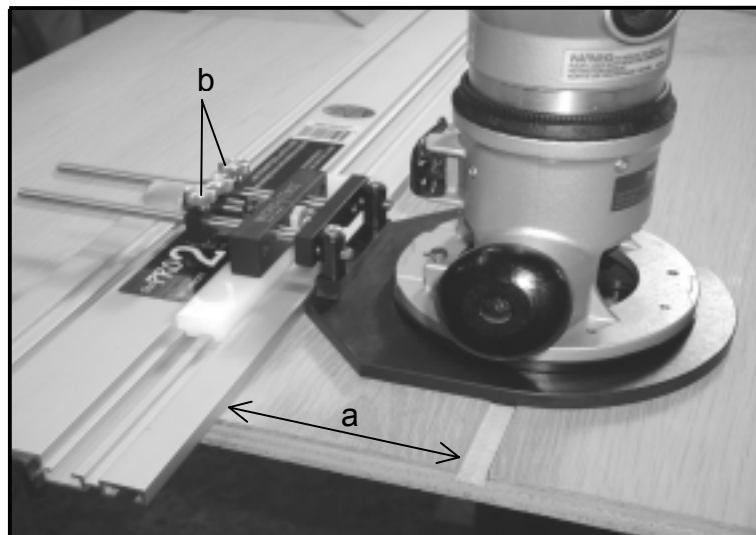


Micro Fence, with its micrometer measuring advantage, now offers an accessory package that works in conjunction with Norm Griset's **Tru-Grip** clamps to provide dados of any size placed at any position on your work surface.

This new accessory utilizes the front trammel portion of our **Circle Jig**, the **Universal Router Plate** (you drill to match your router's base), and a **UHMW sliding fence** that conforms to the shape of the Tru-Grip clamps' aluminum extrusion. The resulting combination provides a method of dadoing with unprecedented ease, measuring capability and control. The Universal Router Plate is standardized to work with our **Model A mounting bar**.



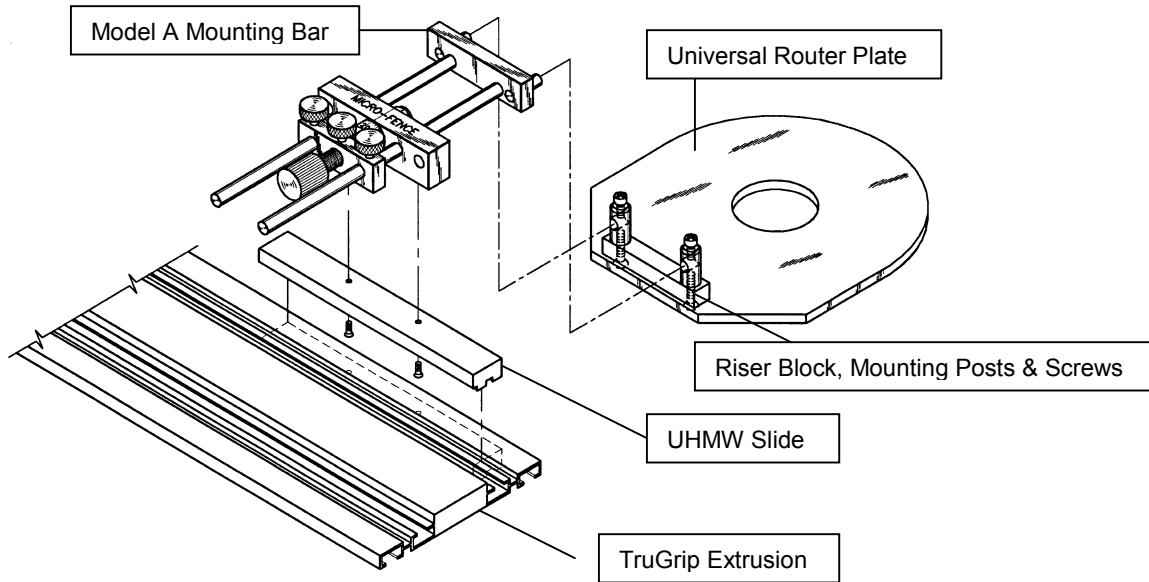
See reverse side for an exploded view of the assembly pictured above and the parts included with this accessory.

Initial Setup: Preset your Micro Fence dial at 50. Clamp the TruGrip to the surface of some scrap material and place the Router plate/Circle Jig assembly in position as shown in the photo above. Loosen the brass thumbscrews (letter b above) and slide the guide shafts and router plate back until it just kisses the edge of the clamp (it should slide smoothly along the edge). Retighten the brass thumbscrews firmly.

One initial cut will tell you what the offset dimension (a) will be for your particular router's setup. Once this is known, pencil marks can be placed for aligning the Tru Grip in proper position to place your cut where you wish it to be. After measuring the cut size with calipers, the usual Micro Fence procedures can be followed to adjust the size of the dado to any size you desire. Don't forget to include whatever tolerance your job may require.

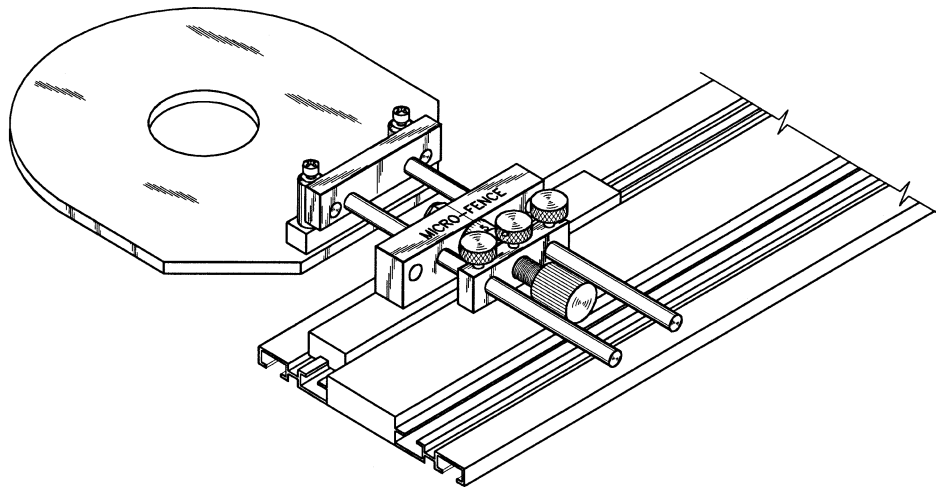
The TruGrip Interface can be used for dadoing, straightening uneven edges or preparing two edges for glue up (finger joint or glue-joint bits can be used for these applications).

This drawing shows the forward trammel assembly of the CJA and the standard 7" guide shafts from the basic edge guide. (Longer guide shafts could conceivably be used as well). The same Universal Router Plate and Riser Block Assembly are used in our Ellipse Packages.



Parts List for this Micro Fence Accessory:

- Universal Router Plate (you drill to match your router's base)
- Riser Block
- Mounting Posts and screws
- UHMW Slide and screws (this part is all you'll receive if you already have the Ellipse Jig)
- Model A Mounting Bar



View of assembled Tru Grip Interface