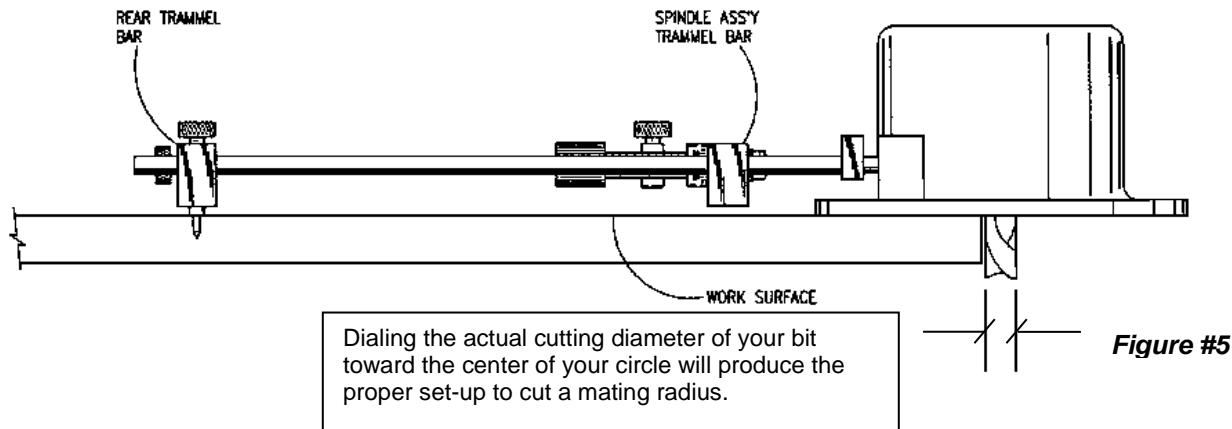


The Micro Fence Circle Jig

12970 Branford Street Unit M, Arleta, CA 91331 Phone 1-800-480-6427
 Email: microfence@microfence.com Website: www.microfence.com

Mating Radiuses: One unique capability that your **Micro Fence®** Circle Jig brings to your shop is that of being able to create virtually flawless mating, circular cuts. Let's say, for example, that you use your jig to cut out a perfect circle. If you measure the cutting diameter of the bit you are using, (use dial calipers to check the kerf that your bit leaves, See Fig. 5 below), you can dial that precise dimension inboard to produce the set up you'll need to cut the perfect mating radius.



Making circles under 6" diameter with the Micro Fence Circle Jig is a potentially dangerous procedure. Our Center Bar and Leveler Kit, used with our Edge Guide, will allow you to cut diameters as small as one-half inch.