

Using Your Circle Jig to Make Parallel Dadoes:

When your work requires referencing from a previous cut, or making parallel dadoes, the Circle Jig is easily modified to meet the need. Simply install the secondary aluminum fence on the underside of either trammel bar (See Figures 10 & 11). A pair of 6-32 X 1/4" flathead screws is provided with the unit. You can make and install your own secondary fence to comply with whatever your job requires. If, for instance, you are making parallel cuts with a 3/8" bit, you may wish to fabricate a secondary fence, (we recommend hard maple or beech), just slightly smaller than the size that your bit's cutting diameter. (This will reduce or eliminate the possibility of the fence "drifting" away from your reference edge). The drilled and tapped holes are on 2 1/4" centers.

Figure #10

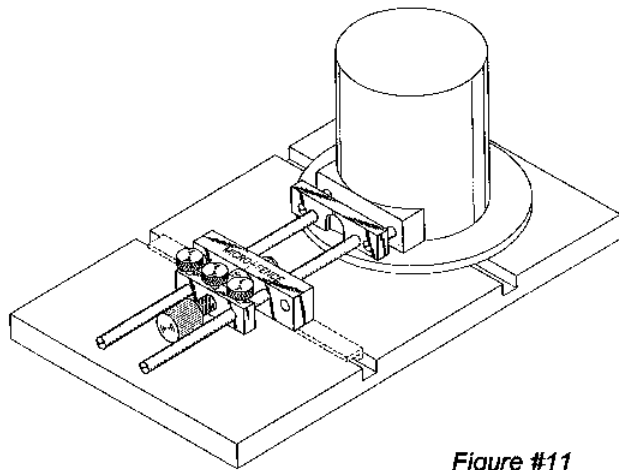
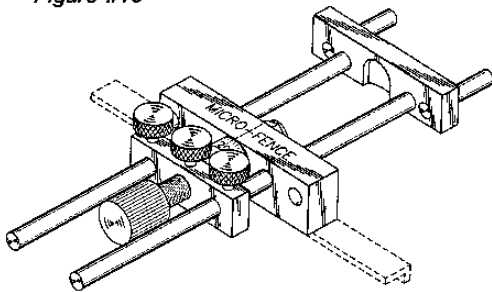


Figure #11