

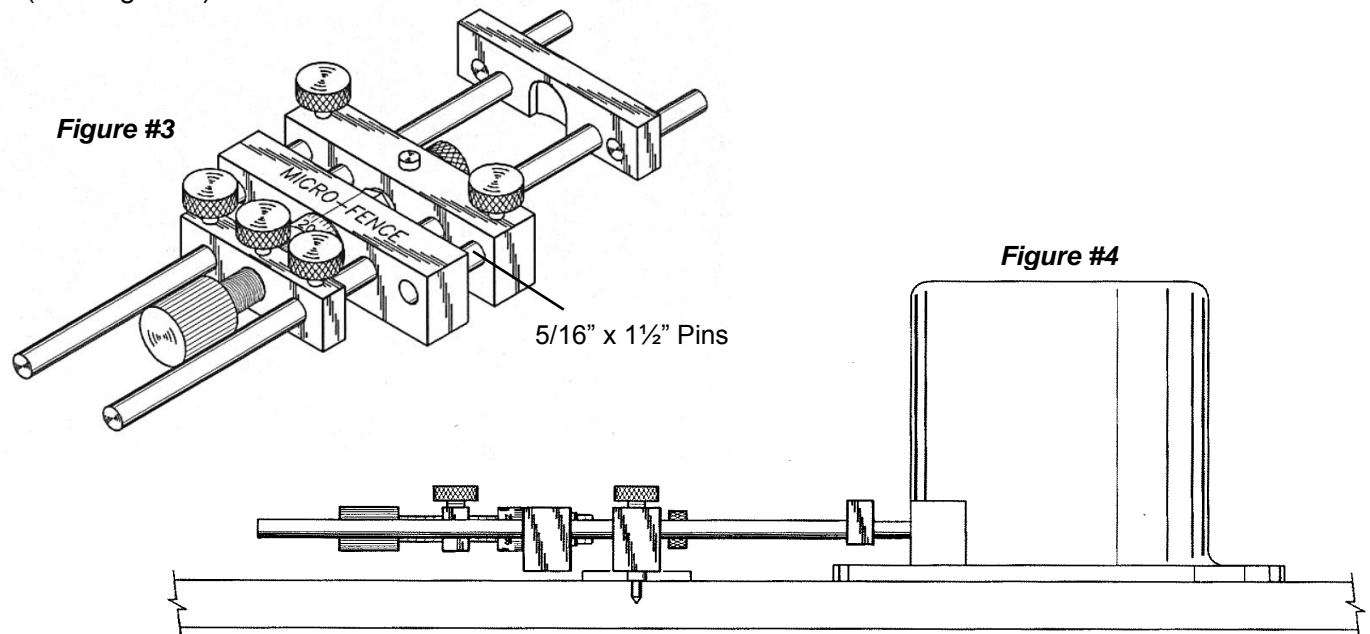


The Micro Fence Circle Jig

12970 Branford Street Unit M, Arleta, CA 91331 Phone 1-800-480-6427
 Email: microfence@microfence.com Website: www.microfence.com

Circles Smaller than 12" :

The **Micro Fence®** Circle Jig system offers an assembly option for smaller circles. Figures 3 & 4 show the rear trammel bar mounted in front of the spindle assembly using the two 5/16" X 1 1/2" pins that are included in your parts bag. After removing the two 12" (304.8mm) guide shafts from the spindle assembly trammel bar, these pins may be installed in a position pointing toward your router. They will provide a place to mount the rear trammel bar, and thus utilize the 1/4" trammel pin as your center. **Always pay particular attention to keep the Circle Jig parallel to your workpiece.** The trammel point can be adjusted vertically so that its shoulder supports the jig. Optionally, a spacer, (or washer) of appropriate thickness can be placed between the work and the bottom of the spindle bar. (See Figure 4).



Note: For even smaller circle-cutting capability see our Center Bar & Leveler Kit along with our Edge Guide.

Micro Fence is protected under Richard Wedler's US Patent # 5,299,609.
 The **Micro Fence** name and logo are copyrighted and trademarked.