

## The Micro Fence Circle Jig

12970 Branford Street Unit M, Arleta, CA 91331 Phone 1-800-480-6427  
 Email: [microfence@microfence.com](mailto:microfence@microfence.com) Website: [www.microfence.com](http://www.microfence.com)

The **Circle Jig** is available as an accessory to the Edge-Guide, (the **Circle Jig Attachment**), or as a completely separate tool, (the **Circle Jig Complete**).

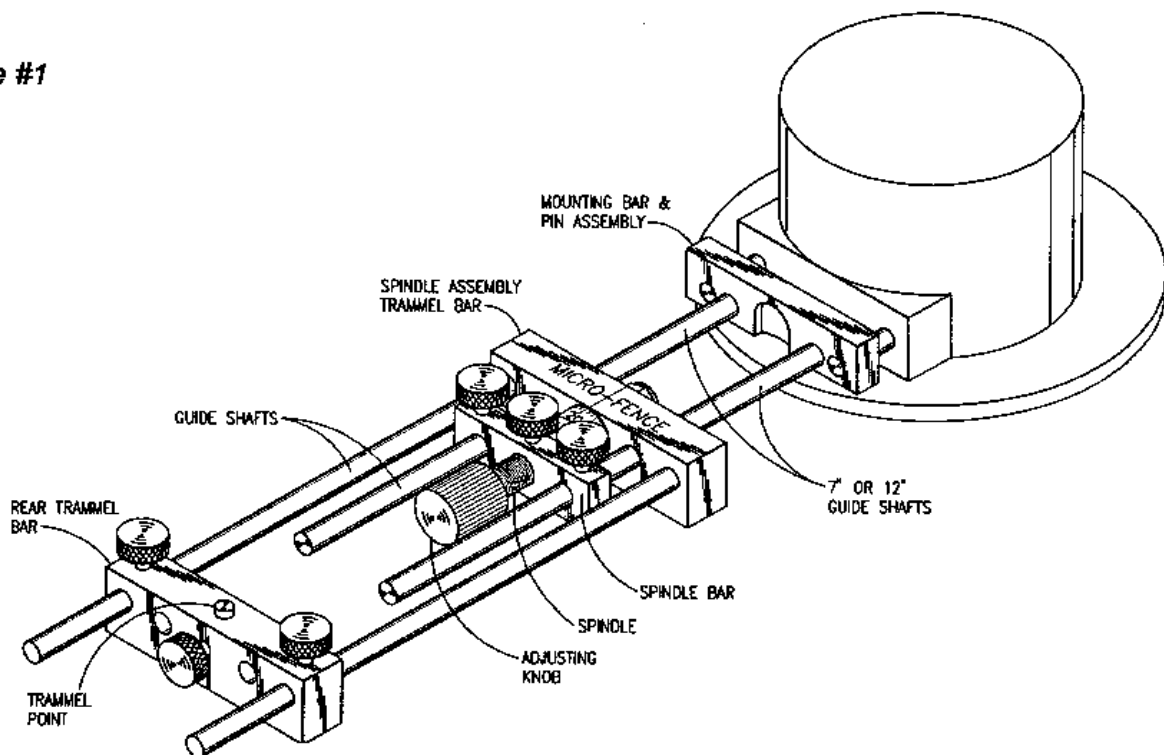
### INSTRUCTIONS FOR OPERATION:

The **Circle Jig** was designed to maximize your router's versatility and efficiency in the making of curves and circles. It provides telescoping adjustability and measuring capability for circles with diameters from approximately 6" to 48". It will also function as the adjustable portion of your own shop-made jig for larger work requirements. We hope it will serve as a catalyst for your thinking as you dream up and plan your woodworking projects.

If you already own a **Micro Fence®** Edge Guide, you have the appropriate mounting bar, pins and guide shafts for the installation of the **Circle Jig Attachment**. Simply slide off the **Micro Fence®** body/spindle assembly and replace it with the **Circle Jig Attachment**. (When properly assembled, the unit will appear as shown in Fig.1.) If you have purchased the **Circle Jig Complete** and do not already own the **Micro Fence®** Edge Guide, the proper mounting bar, pins and screws will be supplied with the tool.

***Be sure your router is unplugged and switched off before installing this accessory.***

**Figure #1**



There are several ways in which your **Circle Jig** can be assembled. Each configuration offers certain advantages when addressing specific types of work requirements. Your first decision will be to select the assembly that best serves your needs. Some of the most common tasks are listed in the following pages.