

PARTS DIAGRAM

We suggest that you take a few moments and familiarize yourself with the names of our parts by referring to the drawing below.

- 1 Leadscrew adjusting Knob
- 2 Brass Locking Thumbscrews (Long) for approximate positioning
- 3 Brass Locking Thumbscrew (Short) for Spindle Locking
- 4 Stainless Steel Lead Screw/Spindle
- 5 Laser-Etched Micrometer Dial
- 6 Spindle Bar
- 7 Main Body
- 8 Mounting Bar (Interchangeable to fit other routers)
- 9 Stainless Steel Guide Shafts
- 10 Mounting Pins (Vary according to router model)

- 11a 8-32 Tapped holes (To attach wood fence or half-rounds)
- 12 Press fit bushings
- 13 Thrust Washer
- 14 Thrust Washer
- 15 Metal Wave Washer
- 16 Lock Nut

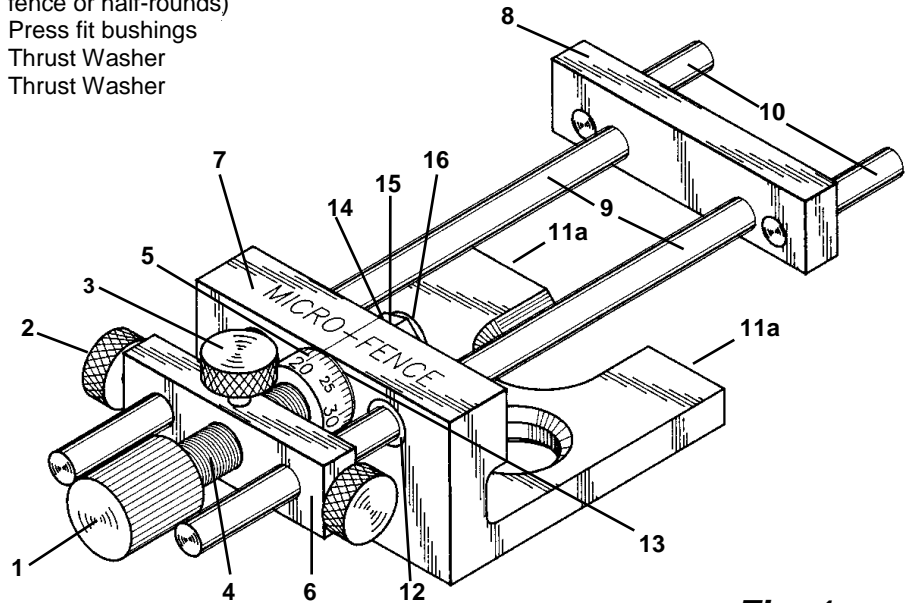


Fig. 1