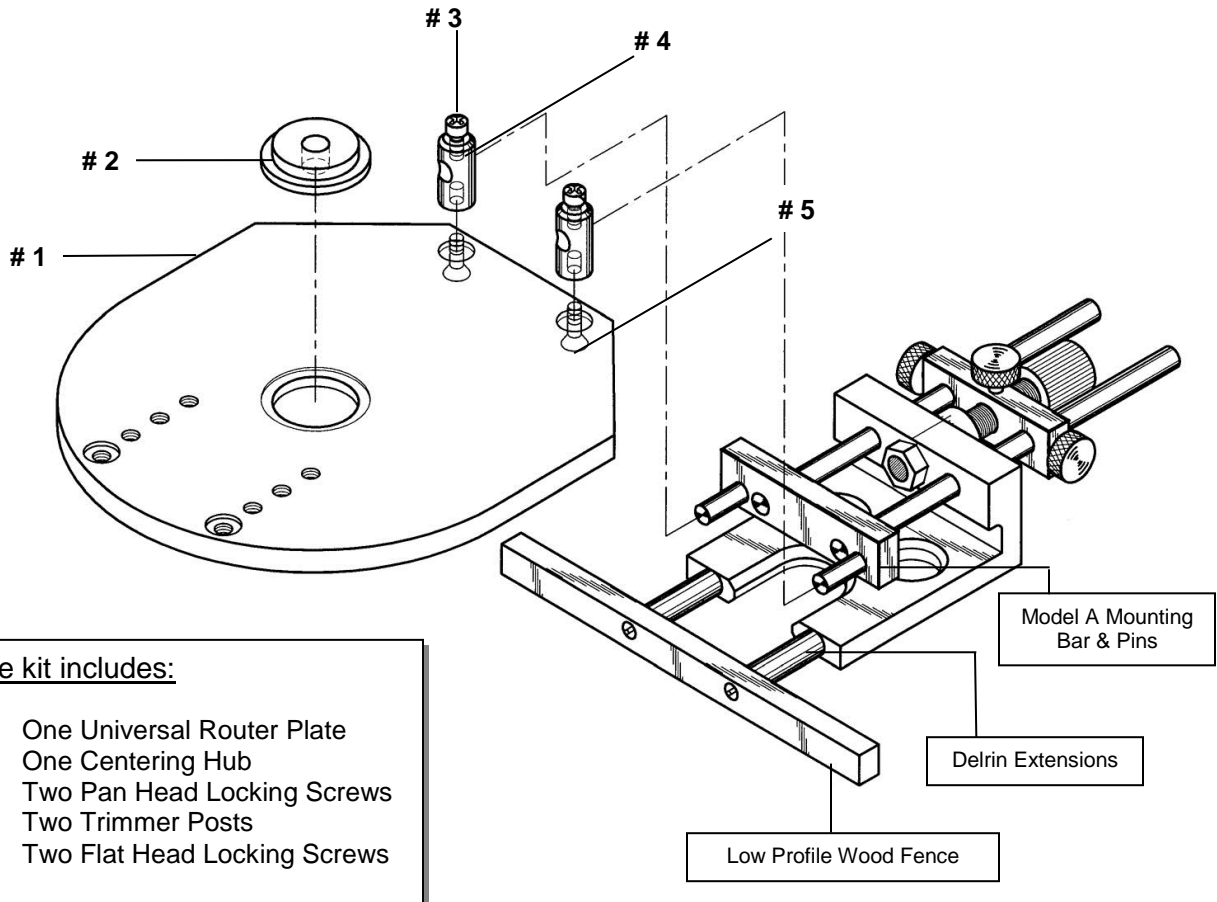




# Universal Router Plate

12970 Branford St. Unit M, Arleta, CA 91331 Phone: 1-800-480-6427  
 Email: microfence@microfence.com Website: www.microfence.com

The **Micro Fence® Universal Router Plate** has been designed to mate any router with the **Model A Micro Fence® Edge-Guide** package. Now, even routers with no holes for mounting an edge-guide can be accommodated.

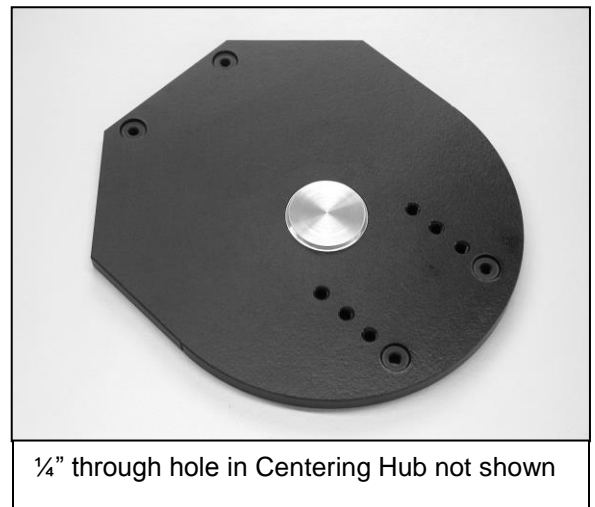


- The kit includes:**
- # 1 One Universal Router Plate
  - # 2 One Centering Hub
  - # 3 Two Pan Head Locking Screws
  - # 4 Two Trimmer Posts
  - # 5 Two Flat Head Locking Screws

## To Mount Your Router on the Universal Router Plate:

Each **Universal Router Plate Kit** includes an aluminum **Centering Hub (#2)** to assist you in properly mounting your router on the **Universal Router Plate (#1)**. This centering hub is made to fit the most popular template guide bushing recesses in router sub-bases (1.375").\*

Seat the hub in the template guide bushing recess of the **Micro Fence® Plate** as shown in the exploded-view diagram above. (The 1.375" diameter should be facing upward).



¼" through hole in Centering Hub not shown

MICRO FENCE



## Universal Router Plate

12970 Branford St. Unit M, Arleta, CA 91331 Phone: 1-800-480-6427  
Email: microfence@microfence.com Website: www.microfence.com

Remove the manufacturer's plastic sub-base from the bottom of your router and place it over the **Centering Hub** to locate it on the **Micro Fence® Router Plate**. Pay attention

to keep the sub-base bottom-side down and to position the mounting holes so that the router will mount in the posture you prefer.

(Some considerations are the position of the handles in relation to the edge-guide, 90° being the generally accepted preference; and the position of the plunge lock on the router in relation to whether you are right or left-handed).



### ALTERNATIVE CENTERING METHOD

**\*If the opening in your sub-base is *not* 1.375" and cannot be fitted with the Centering Hub, try installing a 1/4" router bit or drill in the router's collet and use the through hole in the middle of the Centering Hub to position your router on the black Micro Fence Universal Router Plate. Carefully trace the outside perimeter of your router's base, then lift the router off and remove it's sub-base.**

We suggest that you clamp the sub-base in the desired position and use it as a template to drill thru holes in the **Universal Router Plate (#1)**. After drilling, remove the clamps and the Centering Hub, turn the Universal plate over and countersink, (or counter-bore), the thru holes deep enough to allow the manufacturer's base screws to engage at least several threads into the 3/8" thick Universal Router Plate. The heads of these screws, of course, should not seat proud of the plate's bottom surface.



After fastening the router's base to the **Universal Plate**, install the two **Trimmer Posts (#4)** using the 10-32 flat-head phillips screws (#5) from the bottom, and fitted with the pan-head screws (#3) in the top.

(**Tip:** Leaving the bottom screws slightly loosened will make the insertion of the **Micro Fence® Mounting Bar** easier).

After insertion, tighten both top and bottom screws securely.

